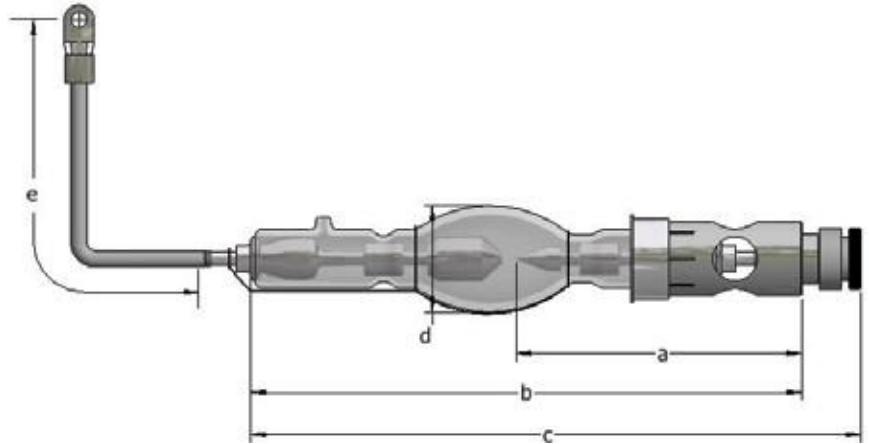


# XDC-2100C

Digital Cinema Xenon Lamp



## APPLICATIONS

Christie CP2208, CP2308, Solaria One/One+

## TECHNICAL SPECIFICATIONS

Rated Power	W	2100
Rated Current	A	80
Operating Current Range	A	55-85
Rated Voltage	V	26
Distance a	mm	118
Length b	mm	238
Length c (max)	mm	261
Cold arc gap	mm	3.5
Bulb Diameter d	mm	43
Anode (+) Base Diameter	mm	N/A
Anode Pin Diameter	mm	N/A
Cathode (-) Base Diameter	mm	30
Cathode Thread Type	mm	M10 x 1.5
Cable Length e	mm	150
Horizontal Operating Position	deg	±15
Min. Cooling Air Flow Velocity	m/sec	7
Base Surface Temperature (max)	deg C	200

WARRANTY: 1000 hours (100%)



Lighting Technologies International LLC  
13700 Live Oak Avenue, Baldwin Park, CA,  
USA 91706  
www.ltilighting.com

Rev. b 2026  
Subject to Change