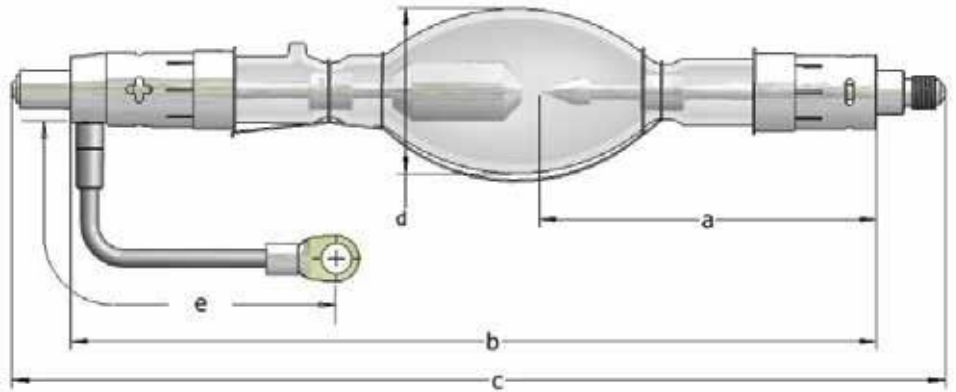


XDC-4000BLX

Digital Cinema Xenon Lamp



APPLICATIONS

Barco DP2K-20C, 23B, DP4K-23B,
DP-1500, DP-2000

TECHNICAL SPECIFICATIONS

Rated Power	W	4000
Rated Current	A	110
Operating Current Range	A	60-120
Rated Voltage	V	36
Distance a	mm	123
Length b	mm	294
Length c (max)	mm	341
Cold arc gap	mm	7.1
Bulb Diameter d	mm	60
Anode (+) Base Diameter	mm	27
Anode Pin Diameter	mm	14
Cathode (-) Base Diameter	mm	27
Cathode Pin Diameter	mm	M12
Cathode Thread	mm	M12 x1.75
Cable Length e	mm	132
Horizontal Operating Position	deg	±15
Min. Cooling Air Flow Velocity	m/sec	7
Base Surface Temperature (max)	deg C	200

WARRANTY: 1700 hours (100%)

