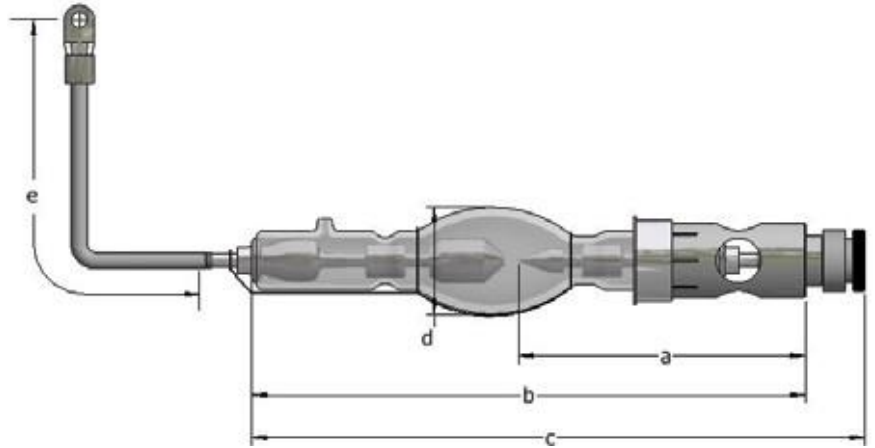


# XDC-2300CLX

Digital Cinema Xenon Lamp



## APPLICATIONS

Christie

CP2215, CP2415-Xe

## TECHNICAL SPECIFICATIONS

Rated Power	W	2300
Rated Current	A	85
Operating Current Range	A	60-90
Rated Voltage	V	27
Distance a	mm	100.5
Length b	mm	216
Length c (max)	mm	240
Cold arc gap	mm	3.5
Bulb Diameter d	mm	43
Anode (+) Base Diameter	mm	N/A
Anode Pin Diameter	mm	N/A
Cathode (-) Base Diameter	mm	M10X1.5
Cathode Thread	mm	
Cable Length e	mm	147.5
Horizontal Operating Position	deg	±15
Min. Cooling Air Flow Velocity	m/sec	7
Base Surface Temperature (max)	deg C	200

WARRANTY: 900 hours(100%)

