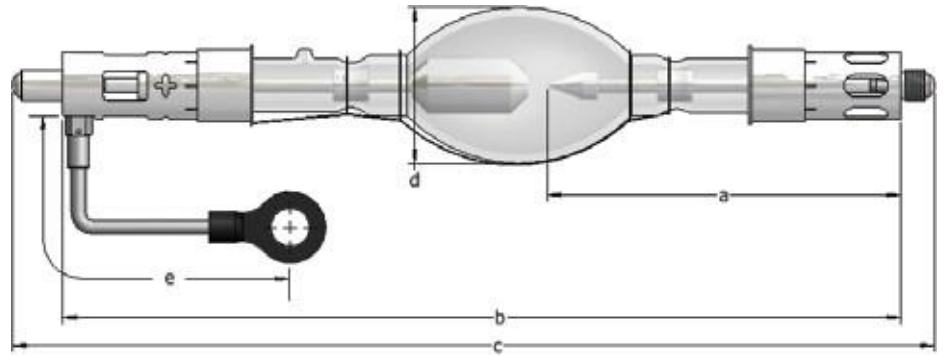


# XDC-6500B

Digital Cinema Xenon Lamp



## APPLICATIONS

Barco DP2K-32B, DP4K-32B, DP-90, DP-100, DP-3000

## TECHNICAL SPECIFICATIONS

Rated Power	W	6500
Rated Current	A	157
Operating Current Range	A	105-166
Rated Voltage	V	41.5
Distance a	mm	158
Length b	mm	375
Length c (max)	mm	413
Cold arc gap	mm	8.0
Bulb Diameter d	mm	70
Anode (+) Base Diameter	mm	30
Anode Pin Diameter	mm	14
Cathode (-) Base Diameter	mm	30
Cathode Thread	mm	M14 x 1.5
Cable Length e	mm	152
Horizontal Operating Position	deg	±15
Min. Cooling Air Flow Velocity	m/sec	7
Base Surface Temperature (max)	deg C	200

WARRANTY: 500 hours (100%)

