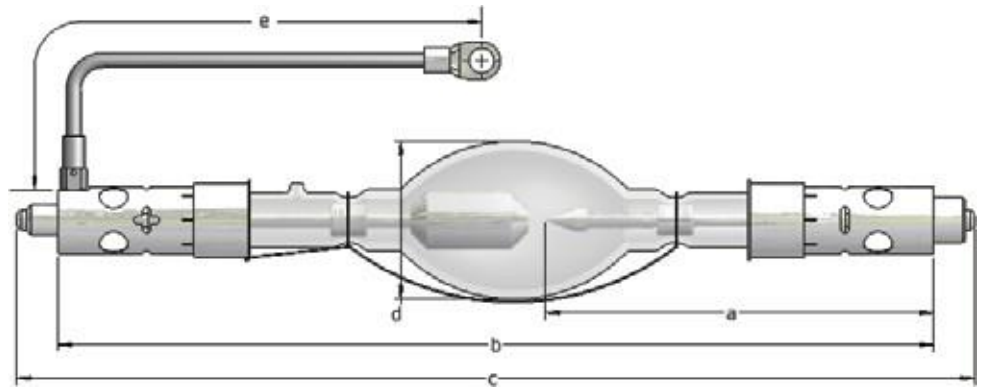


# XDC-6000NLX

Digital Cinema Xenon Lamp



## APPLICATIONS

NEC NC2500S, NC3200S, NC3240S

## TECHNICAL SPECIFICATIONS

|                                |       |         |
|--------------------------------|-------|---------|
| Rated Power                    | W     | 6000    |
| Rated Current                  | A     | 146     |
| Operating Current Range        | A     | 105-155 |
| Rated Voltage                  | V     | 41      |
| Distance a                     | mm    | 171     |
| Length b                       | mm    | 387     |
| Length c (max)                 | mm    | 423     |
| Cold arc gap                   | mm    | 8.6     |
| Bulb Diameter d                | mm    | 70      |
| Anode (+) Base Diameter        | mm    | 30      |
| Anode Pin Diameter             | mm    | 14      |
| Cathode (-) Base Diameter      | mm    | 30      |
| Cathode Pin Diameter           | mm    | 20      |
| Cable Length e                 | mm    | 220     |
| Horizontal Operating Position  | deg   | ±15     |
| Min. Cooling Air Flow Velocity | m/sec | 7       |
| Base Surface Temperature (max) | deg C | 200     |

WARRANTY: 1000 hours

