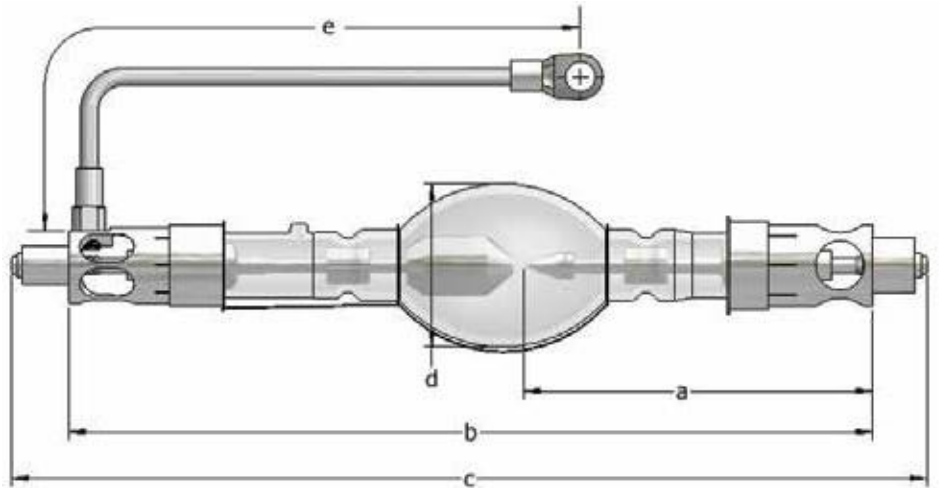


## XDC-3000SLX 15

Digital Cinema Xenon Lamp



### APPLICATIONS

Sony SRX-R220, SRX-R320

### TECHNICAL SPECIFICATIONS

Rated Power	W	3000
Rated Current	A	100
Operating Current Range	A	80-120
Rated Voltage	V	30
Distance a	mm	128
Length b	mm	295
Length c (max)	mm	334
Cold arc gap	mm	4.5
Bulb Diameter d	mm	60
Anode (+) Base Diameter	mm	28
Anode Pin Diameter	mm	14
Cathode (-) Base Diameter	mm	30
Cathode Pin Diameter	mm	20
Cable Length e	mm	203
Horizontal Operating Position	deg	±15
Min. Cooling Air Flow Velocity	m/sec	7
Base Surface Temperature (max)	deg C	200

WARRANTY: 1500 hours (100%)

