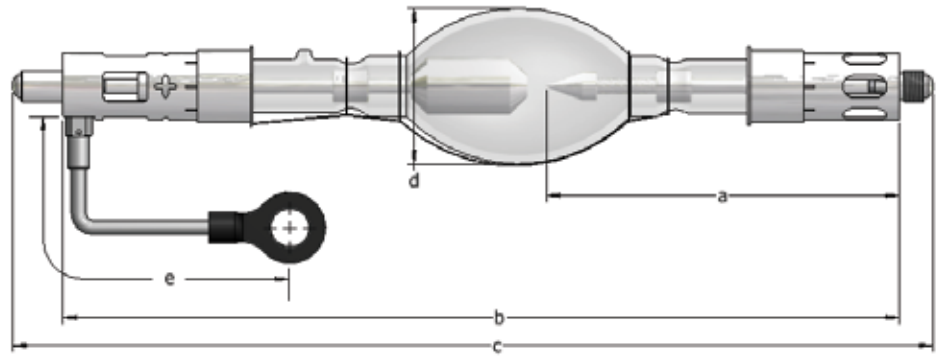


# XDC-7000B

Digital Cinema Xenon Lamp



## APPLICATIONS

Barco DP2K-32B, DP4K-32B, , DP-100,  
DP-3000, HDQ-2K40, HDQ-4K35

## TECHNICAL SPECIFICATIONS

|                                |       |         |
|--------------------------------|-------|---------|
| Rated Power                    | W     | 7000    |
| Rated Current                  | A     | 166     |
| Operating Current Range        | A     | 105-175 |
| Rated Voltage                  | V     | 42      |
| Distance a                     | mm    | 158     |
| Length b                       | mm    | 375     |
| Length c (max)                 | mm    | 413     |
| Cold arc gap                   | mm    | 7.4     |
| Bulb Diameter d                | mm    | 80      |
| Anode (+) Base Diameter        | mm    | 30      |
| Anode Pin Diameter             | mm    | 14      |
| Cathode (-) Base Diameter      | mm    | 30      |
| Cathode Thread Type            |       | M14x15  |
| Cable Length e                 | mm    | 152     |
| Horizontal Operating Position  | deg   | ±15     |
| Min. Cooling Air Flow Velocity | m/sec | 7       |
| Base Surface Temperature (max) | deg C | 200     |

WARRANTY: 300 hours (100%)



Lighting Technologies International LLC  
13700 Live Oak Avenue, Baldwin Park, CA,  
USA 91706  
www.ltilighting.com

Rev. 3 / 2020  
Subject to Change