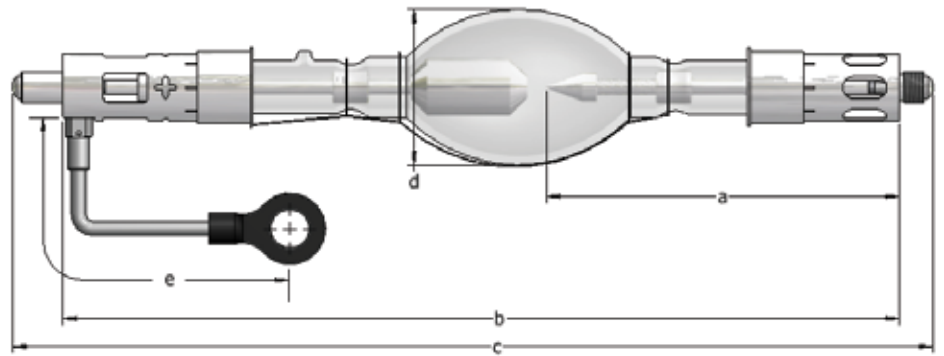


# XDC-6500B

Digital Cinema Xenon Lamp



## APPLICATIONS

Barco DP2K-32B, DP4K-32B, DP-90, DP-100, DP-3000

## TECHNICAL SPECIFICATIONS

Rated Power	W	6500
Rated Current	A	162
Operating Current Range	A	105-175
Rated Voltage	V	40
Distance a	mm	158
Length b	mm	375
Length c (max)	mm	413
Cold arc gap	mm	8.0
Bulb Diameter d	mm	80
Anode (+) Base Diameter	mm	30
Anode Pin Diameter	mm	14
Cathode (-) Base Diameter	mm	30
Cathode Pin Diameter		M14 x 1.5
Cable Length e	mm	152
Horizontal Operating Position	deg	± 15
Min. Cooling Air Flow Velocity	m/sec	7
Base Surface Temperature (max)	deg C	200

WARRANTY: 500 hours (100%)



Lighting Technologies International LLC  
13700 Live Oak Avenue, Baldwin Park, CA,  
USA 91706  
www.ltilighting.com

Rev. 3 / 2020  
Subject to Change