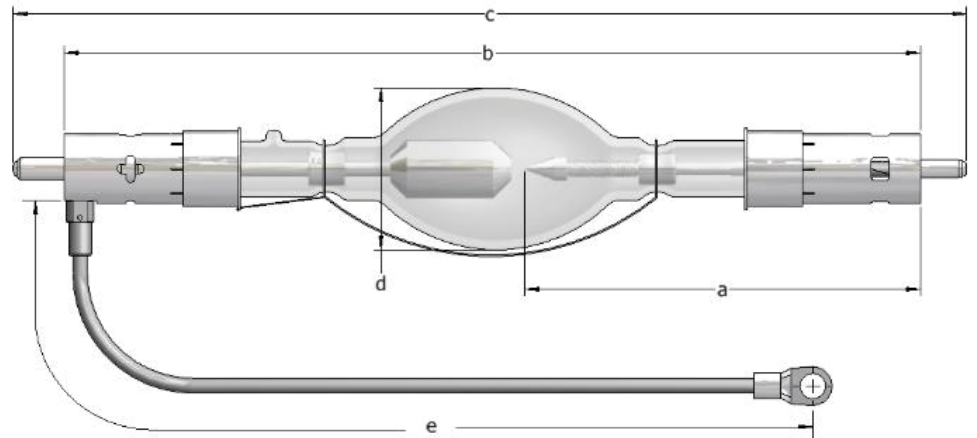


XDC-4500TAL

Digital Cinema Xenon Lamp



APPLICATIONS

Kinoton/Cinemeccanica digital cinema projectors

TECHNICAL SPECIFICATIONS

Rated Power	W	4500
Rated Current	A	140
Operating Current Range	A	80-150
Rated Voltage	V	32
Distance a	mm	171
Length b	mm	370
Length c (max)	mm	410
Cold arc gap	mm	6.0
Bulb Diameter d	mm	70
Anode (+) Base Diameter	mm	30
Anode Pin Diameter	mm	9.4
Cathode (-) Base Diameter	mm	30
Cathode Pin Diameter	mm	7.9
Cable Length e	mm	400
Horizontal Operating Position	deg	±15
Min. Cooling Air Flow Velocity	m/sec	7
Base Surface Temperature (max)	deg C	200

WARRANTY: 1300 hours (100%)



Lighting Technologies International LLC
13700 Live Oak Avenue, Baldwin Park, CA,
USA 91706
www.ltilighting.com

Rev. 3 / 2020
Subject to Change