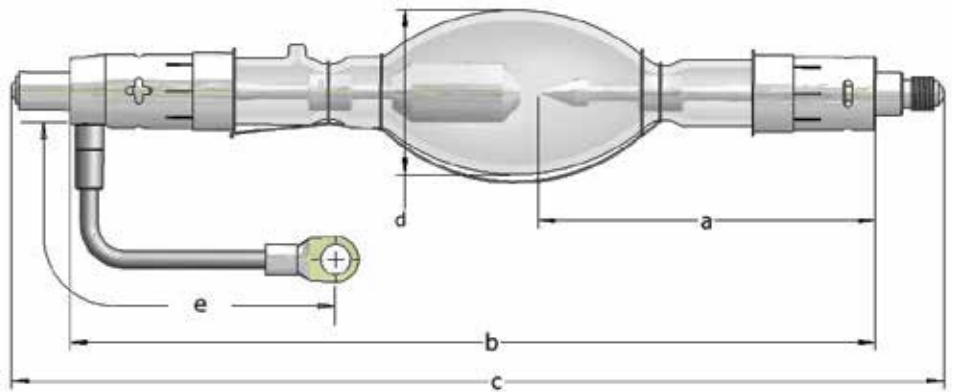


XDC-4000B

Digital Cinema Xenon Lamp



APPLICATIONS

Barco DP2K-20C, 23B, DP-1500, DP-2000, DP4K-23B

TECHNICAL SPECIFICATIONS

Rated Power	W	4000
Rated Current	A	120
Operating Current Range	A	100-130
Rated Voltage	V	35
Distance a	mm	123
Length b	mm	294
Length c (max)	mm	341
Cold arc gap	mm	6.6
Bulb Diameter d	mm	60
Anode (+) Base Diameter	mm	27
Anode Pin Diameter	mm	14
Cathode (-) Base Diameter	mm	27
Cathode Thread Type		M12 x 1.75
Cable Length e	mm	132
Horizontal Operating Position	deg	± 15
Min. Cooling Air Flow Velocity	m/sec	7
Base Surface Temperature (max)	deg C	200

WARRANTY: 1100 hours (100%)



Lighting Technologies International LLC
13700 Live Oak Avenue, Baldwin Park, CA,
USA 91706
www.ltilighting.com

Rev. 3 / 2020
Subject to Change