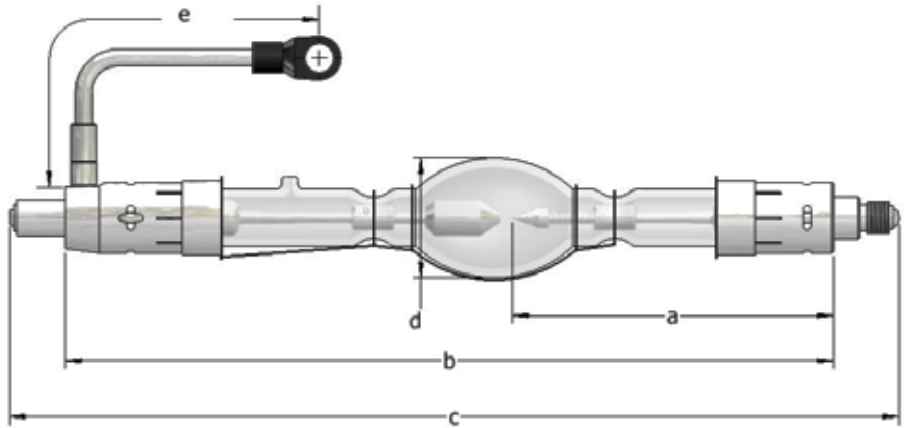


XDC-3000NL

Digital Cinema Xenon Lamp



APPLICATIONS

NEC NC1600C, NC2000C

TECHNICAL SPECIFICATIONS

Rated Power	W	3000
Rated Current	A	100
Operating Current Range	A	45-110
Rated Voltage	V	30
Distance a	mm	144
Length b	mm	306
Length c (max)	mm	336
Cold arc gap	mm	5.5
Bulb Diameter d	mm	60
Anode (+) Base Diameter	mm	27
Anode Pin Diameter	mm	14
Cathode (-) Base Diameter	mm	28
Cathode Pin Diameter	mm	20
Cable Length e	mm	160
Horizontal Operating Position	deg	± 15
Min. Cooling Air Flow Velocity	m/sec	7
Base Surface Temperature (max)	deg C	200

WARRANTY: 1800 hours (100%)

