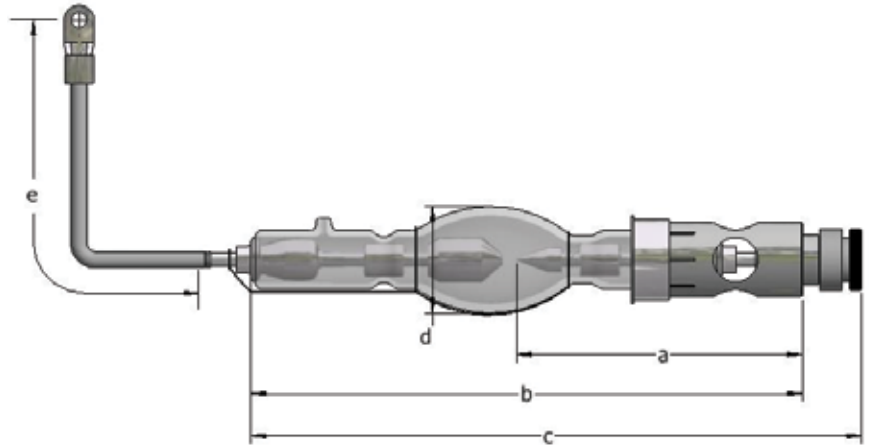


# XDC-2300C

Digital Cinema Xenon Lamp



## APPLICATIONS

Christie CP2215

## TECHNICAL SPECIFICATIONS

Rated Power	W	2300
Rated Current	A	85
Operating Current Range	A	60-88
Rated Voltage	V	27
Distance a	mm	100.5
Length b	mm	221
Length c (max)	mm	243
Cold arc gap	mm	3.5
Bulb Diameter d	mm	43
Anode (+) Base Diameter	mm	N/A
Anode Pin Diameter	mm	N/A
Cathode (-) Base Diameter	mm	30
Cathode Thread Type		M10 x 1.5
Cable Length e	mm	147.5
Horizontal Operating Position	deg	± 15
Min. Cooling Air Flow Velocity	m/sec	7
Base Surface Temperature (max)	deg C	200

WARRANTY: 700 hours (100%)



Lighting Technologies International LLC  
13700 Live Oak Avenue, Baldwin Park, CA,  
USA 91706  
www.ltilighting.com

Rev. 3 / 2020  
Subject to Change