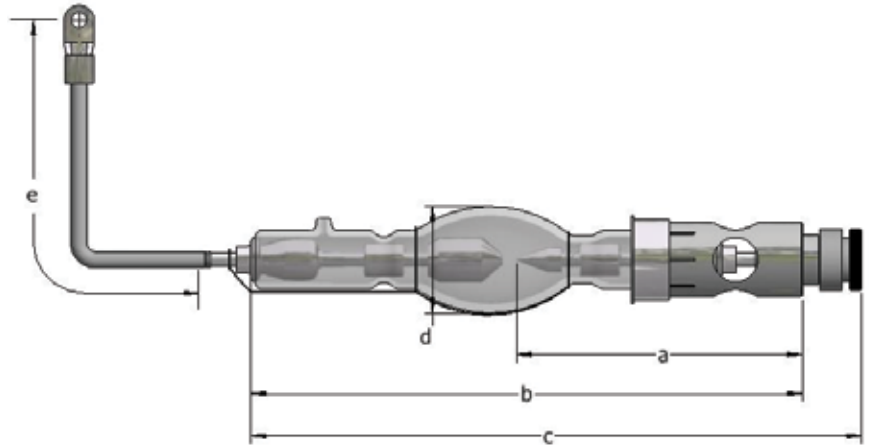


XDC-2100C

Digital Cinema Xenon Lamp



APPLICATIONS

Christie CP2208, CP2210, CP2215, CP2308, Solaria One/One +

TECHNICAL SPECIFICATIONS

| | | |
|--------------------------------|-------|------------|
| Rated Power | W | 2100 |
| Rated Current | A | 80 |
| Operating Current Range | A | 55-85 |
| Rated Voltage | V | 26 |
| Distance a | mm | 118 |
| Length b | mm | 238 |
| Length c (max) | mm | 261 |
| Cold arc gap | mm | 3.5 |
| Bulb Diameter d | mm | 43 |
| Anode (+) Base Diameter | mm | N/A |
| Anode Pin Diameter | mm | N/A |
| Cathode (-) Base Diameter | mm | 30 |
| Cathode Thread Type | | M10 x 1.50 |
| Cable Length e | mm | 150 |
| Horizontal Operating Position | deg | ±15 |
| Min. Cooling Air Flow Velocity | m/sec | 7 |
| Base Surface Temperature (max) | deg C | 200 |

WARRANTY: 1000 hours (100%)



Lighting Technologies International LLC
13700 Live Oak Avenue, Baldwin Park, CA,
USA 91706
www.ltilighting.com

Rev. 3 / 2020
Subject to Change