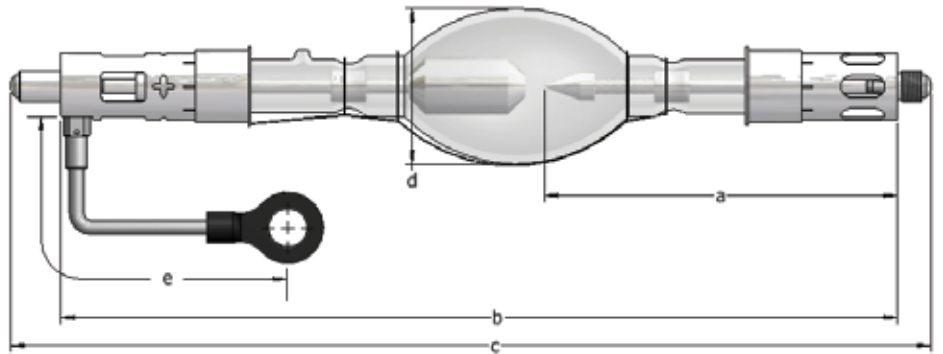


XDC-1900C

Digital Cinema Xenon Lamp



APPLICATIONS

Christie CP2208, CP2308

TECHNICAL SPECIFICATIONS

Rated Power	W	1900
Rated Current	A	72
Operating Current Range	A	45-80
Rated Voltage	V	27
Distance a	mm	118
Length b	mm	239
Length c (max)	mm	260.6
Cold arc gap	mm	3.5
Bulb Diameter d	mm	43
Anode (+) Base Diameter	mm	N/A
Anode Pin Diameter	mm	N/A
Cathode (-) Base Diameter	mm	30
Cathode Thread Type		M10 X 1.50
Cable Length e	mm	147.5
Horizontal Operating Position	deg	± 15
Min. Cooling Air Flow Velocity	m/sec	7
Base Surface Temperature (max)	deg C	200

WARRANTY: 1500 hours (100%)

