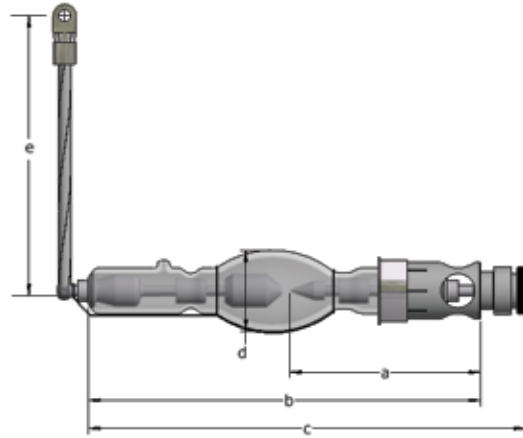


# XE-2000CH

Digital Cinema Xenon Lamp



## APPLICATIONS

Christie Roadster S12+K, DS+14K, HD12K, HD14K-J

## TECHNICAL SPECIFICATIONS

Rated Power	W	2000
Rated Current	A	70
Operating Current Range	A	53-92
Rated Voltage	V	28
Distance a	mm	100.5
Length b	mm	221
Length c (max)	mm	243
Cold arc gap	mm	4.26
Bulb Diameter d	mm	43
Anode (+) Base Diameter	mm	N/A
Anode Pin Diameter	mm	N/A
Cathode (-) Base Diameter	mm	30
Cathode Pin Diameter	mm	M10 x 1.50
Cable Length e	mm	133
Horizontal Operating Position	deg	± 5
Min. Cooling Air Flow Velocity	m/sec	4.5
Base Surface Temperature (max)	deg C	200

WARRANTY: 1000 hours (100%)

