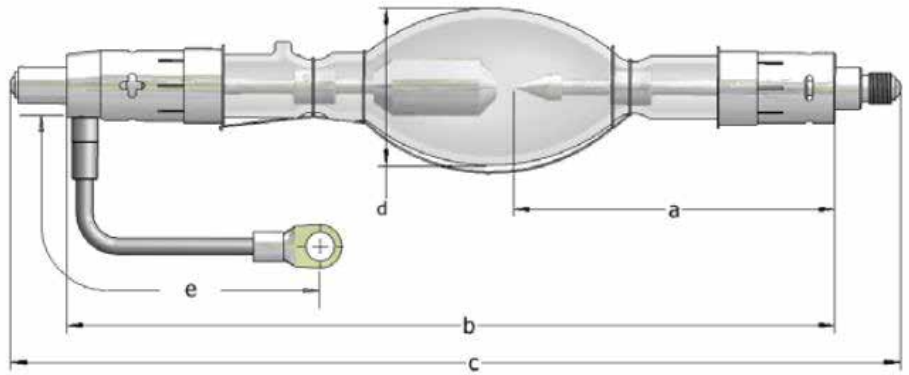


# XE-4000BA

Digital Cinema Xenon Lamp



## APPLICATIONS

NEC

HDF-W22, W26, W30 FLEX

## TECHNICAL SPECIFICATIONS

Rated Power	W	4000
Rated Current	A	118
Operating Current Range	A	60-125
Rated Voltage	V	34
Distance a	mm	123
Length b	mm	294
Length c (max)	mm	341
Cold arc gap	mm	3.94
Bulb Diameter d	mm	60
Anode (+) Base Diameter	mm	27
Anode Pin Diameter	mm	13.9
Cathode (-) Base Diameter	mm	27
Cathode Pin Diameter	mm	16
Cable Length e	mm	132
Horizontal Operating Position	deg	±15
Min. Cooling Air Flow Velocity	m/sec	7
Base Surface Temperature (max)	deg C	200

WARRANTY: 3200 hours (100%)

