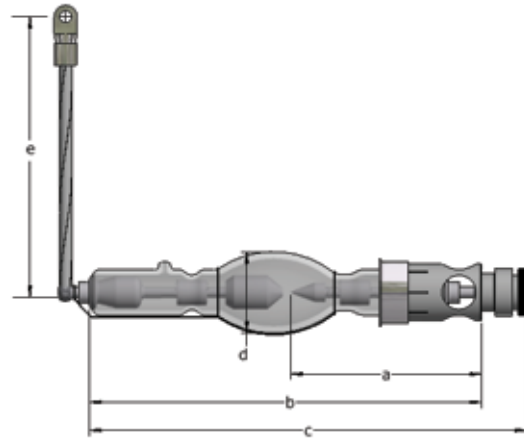


# XE-2400CH

Digital Cinema Xenon Lamp



## APPLICATIONS

NEC

Roadster S16+K, S+18K+J, HD16K+J

## TECHNICAL SPECIFICATIONS

Rated Power	W	2400
Rated Current	A	82
Operating Current Range	A	53-88
Rated Voltage	V	29
Distance a	mm	100.5
Length b	mm	221
Length c (max)	mm	243
Cold arc gap	mm	4.1
Bulb Diameter d	mm	43
Anode (+) Base Diameter	mm	N/A
Anode Pin Diameter	mm	N/A
Cathode (-) Base Diameter	mm	30
Cathode Pin Diameter	mm	M10 x 1.50
Cable Length e	mm	133
Horizontal Operating Position	deg	±5
Min. Cooling Air Flow Velocity	m/sec	4.5
Base Surface Temperature (max)	deg C	200

WARRANTY: 3200 hours (100%)

