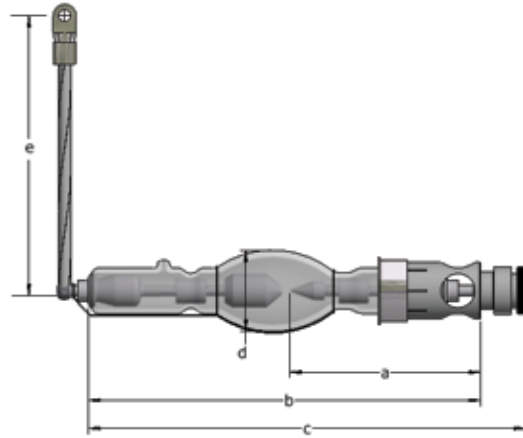


XE-2000CH

Digital Cinema Xenon Lamp



APPLICATIONS

NEC Roadster S12+K, DS+14K, HD12K, HD14K-J

TECHNICAL SPECIFICATIONS

| | | |
|--------------------------------|-------|------------|
| Rated Power | W | 2000 |
| Rated Current | A | 68 |
| Operating Current Range | A | 53-92 |
| Rated Voltage | V | 28 |
| Distance a | mm | 100.5 |
| Length b | mm | 221 |
| Length c (max) | mm | 243 |
| Cold arc gap | mm | 4.26 |
| Bulb Diameter d | mm | 43 |
| Anode (+) Base Diameter | mm | N/A |
| Anode Pin Diameter | mm | N/A |
| Cathode (-) Base Diameter | mm | 30 |
| Cathode Pin Diameter | mm | M10 x 1.50 |
| Cable Length e | mm | 133 |
| Horizontal Operating Position | deg | ±5 |
| Min. Cooling Air Flow Velocity | m/sec | 4.5 |
| Base Surface Temperature (max) | deg C | 200 |

WARRANTY: 3200 hours (100%)

