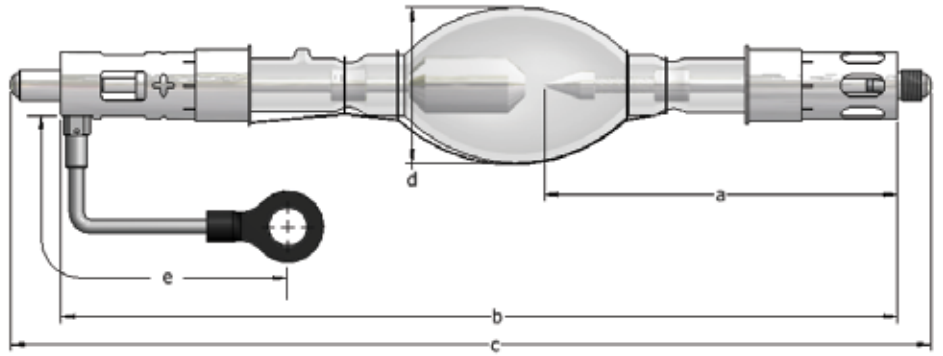


XDC-6500BI2

Digital Cinema Xenon Lamp



APPLICATIONS

Barco

Gen III

TECHNICAL SPECIFICATIONS

Rated Power	W	6500
Rated Current	A	162
Operating Current Range	A	105-175
Rated Voltage	V	40 (+/-2)
Distance a	mm	158.5
Length b	mm	375.5
Length c (max)	mm	413
Cold arc gap	mm	8
Bulb Diameter d	mm	80
Anode (+) Base Diameter	mm	30
Anode Pin Diameter	mm	9.4
Cathode (-) Base Diameter	mm	30
Cathode Pin Diameter	mm	7.9
Cable Length e	mm	152
Horizontal Operating Position	deg	±5
Min. Cooling Air Flow Velocity	m/sec	6
Base Surface Temperature (max)	deg C	230

WARRANTY: 700 hours (100%)

