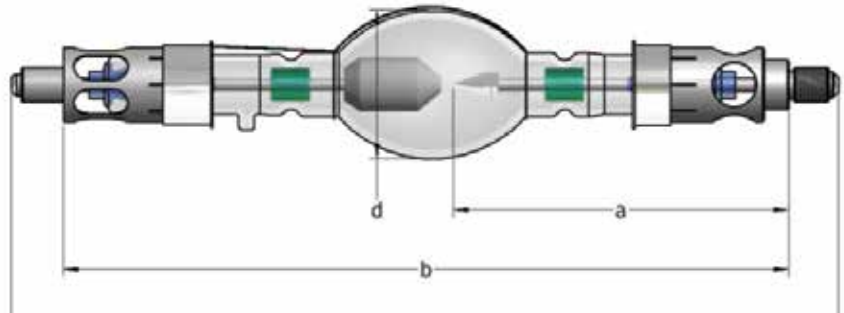


# XDC-3001C

Digital Cinema Xenon Lamp



## APPLICATIONS

Christie CP2220, CP4220, CP2000-ZX

## TECHNICAL SPECIFICATIONS

Rated Power	W	3000
Rated Current	A	100
Operating Current Range	A	93-107
Rated Voltage	V	30 (+/-2)
Distance a	mm	135
Length b	mm	292
Length c (max)	mm	333
Cold arc gap	mm	4.32
Bulb Diameter d	mm	60
Anode (+) Base Diameter	mm	30
Anode Pin Diameter	mm	11.5
Cathode (-) Base Diameter	mm	30/20
Cathode Pin Diameter	mm	M14 x 1.50
Cable Length e	mm	None
Horizontal Operating Position	deg	±5
Min. Cooling Air Flow Velocity	m/sec	7
Base Surface Temperature (max)	deg C	200

WARRANTY: 1000 hours (100%)

