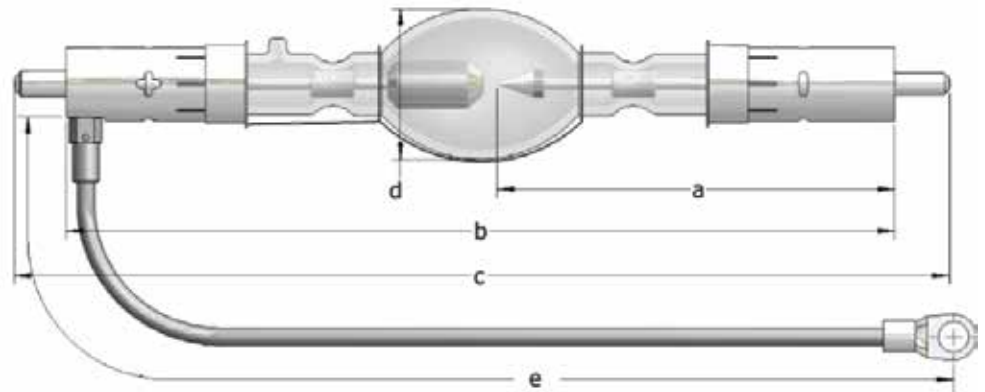


# XDC-3000TA

Digital Cinema Xenon Lamp



## APPLICATIONS

Barco Kinoton/Cinemeccanica digital cinema projectors

## TECHNICAL SPECIFICATIONS

Rated Power	W	3000
Rated Current	A	110
Operating Current Range	A	65-120
Rated Voltage	V	29 ±2
Distance a	mm	145
Length b	mm	302
Length c (max)	mm	342
Cold arc gap	mm	5.0
Bulb Diameter d	mm	55
Anode (+) Base Diameter	mm	27
Anode Pin Diameter	mm	9.4
Cathode (-) Base Diameter	mm	27
Cathode Pin Diameter	mm	7.8
Cable Length e	mm	400
Horizontal Operating Position	deg	±15
Min. Cooling Air Flow Velocity	m/sec	7
Base Surface Temperature (max)	deg C	230

WARRANTY: 1500 hours (100%)

