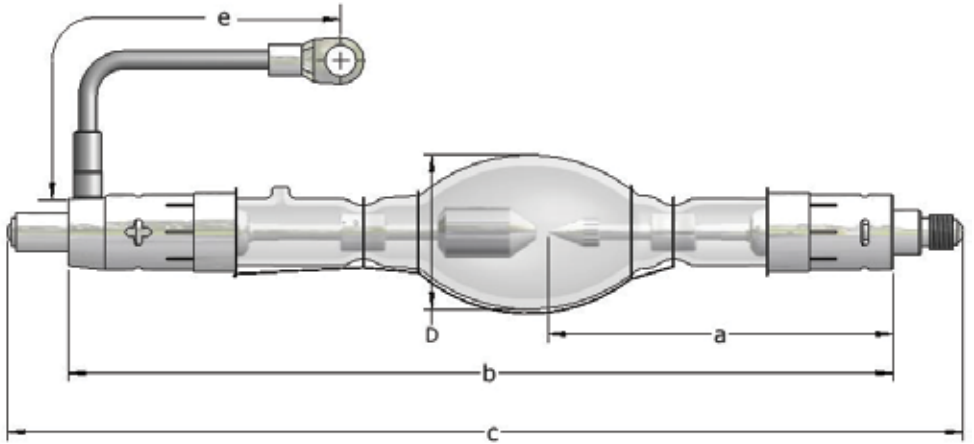


XDC-2200B

Digital Cinema Xenon Lamp



APPLICATIONS

Barco DP2K-8S, 10SX, 12C, 15C, 19B, 20C, 23B, DP4K-23B

TECHNICAL SPECIFICATIONS

Rated Power	W	2200
Rated Current	A	83
Operating Current Range	A	45-100
Rated Voltage	V	27.5 (+/-3)
Distance a	mm	123
Length b	mm	294
Length c (max)	mm	341
Cold arc gap	mm	4.31
Bulb Diameter d	mm	55
Anode (+) Base Diameter	mm	27
Anode Pin Diameter	mm	13.9
Cathode (-) Base Diameter	mm	27
Cathode Pin Diameter	mm	M12 x 1.75
Cable Length e	mm	132
Horizontal Operating Position	deg	±5
Min. Cooling Air Flow Velocity	m/sec	7
Base Surface Temperature (max)	deg C	200

WARRANTY: 1500 hours (100%)



Lighting Technologies International LLC
13700 Live Oak Avenue, Baldwin Park, CA,
USA 91706
www.ltilighting.com

Rev. 6 / 2019
Subject to Change