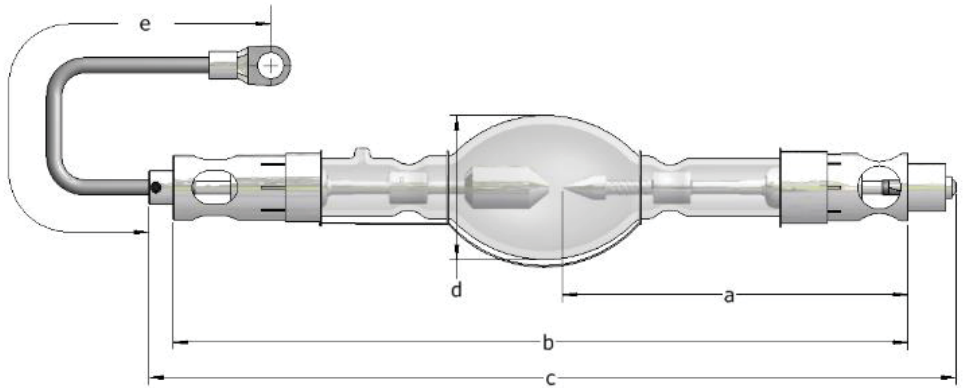


XDC-1200N

Digital Cinema Xenon Lamp



APPLICATIONS

NEC

NC1200C, NC1600C, NC2000C

TECHNICAL SPECIFICATIONS

Rated Power	W	1200
Rated Current	A	60
Operating Current Range	A	40-66
Rated Voltage	V	20 (+/-2)
Distance a	mm	144
Length b	mm	306
Length c (max)	mm	344
Cold arc gap	mm	4.66
Bulb Diameter d	mm	46
Anode (+) Base Diameter	mm	27
Anode Pin Diameter	mm	14
Cathode (-) Base Diameter	mm	27
Cathode Pin Thread Top	mm	20
Cable Length e	mm	169
Horizontal Operating Position	deg	±5
Min. Cooling Air Flow Velocity	m/sec	7
Base Surface Temperature (max)	deg C	200

WARRANTY: 3000 hours (100%)

